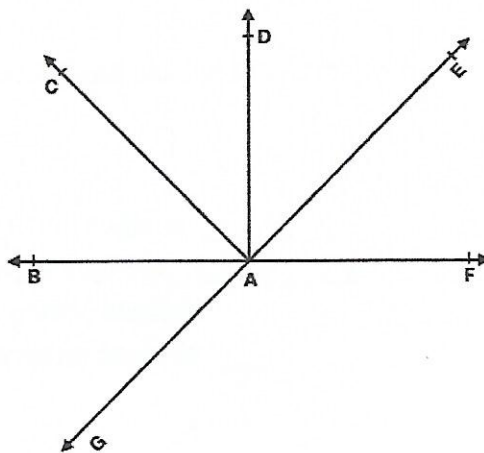


International Indian School Buraidah
STD VII - Maths Worksheet - 05
L # 5 Lines & Angles

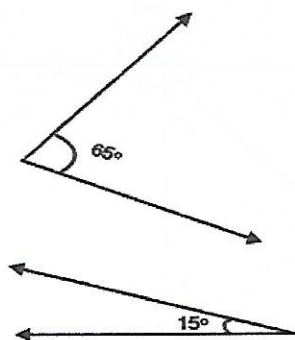
1. From the figure given below



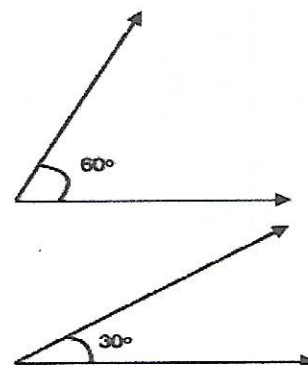
- | | |
|------------------------------|--|
| a) Name the two acute angles | b) Name the two obtuse angles |
| c) Name the two right angles | d) Name a pair of adjacent angles |
| e) Name a linear pair | f) Name a pair of vertically opposite angles |

2. Check whether the following angles are complementary using proper steps

(i).

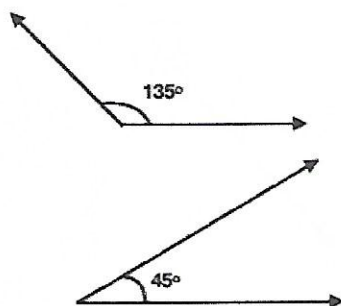


(ii).

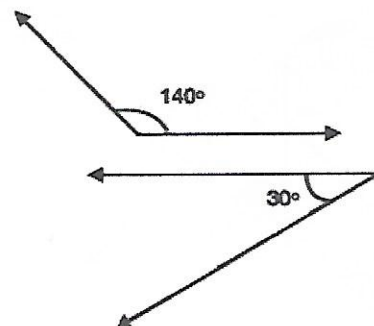


3. Check whether the following angles are supplementary using proper steps

(i).



(ii).



4. Find the supplementary angles of

a) 55°

b) 28°

c) 12°

d) 89°

5. Find the supplementary angles of

a) 58°

b) 75°

c) 90°

d) 115°

6. Two complementary angles are $4x$ and $5x$. Find their measures.

7. Fill up the following:

a) The supplement of an acute angle is _____

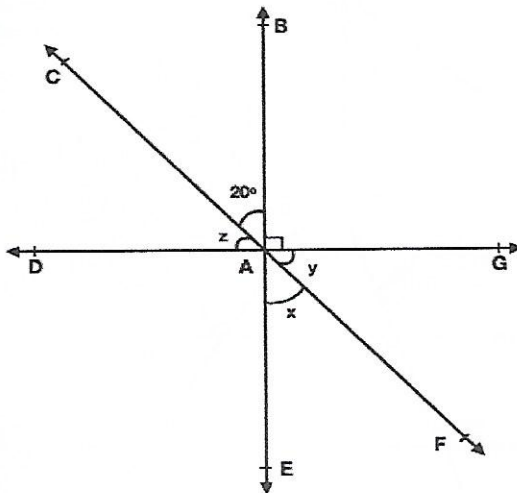
b) The supplement of a right angle is _____

c) The supplement of an obtuse angle is _____

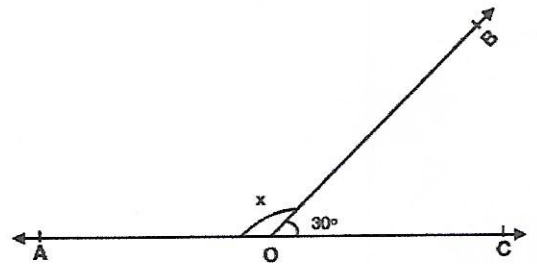
d) The complement of an acute angle is _____

8. Find the values of x , y , z

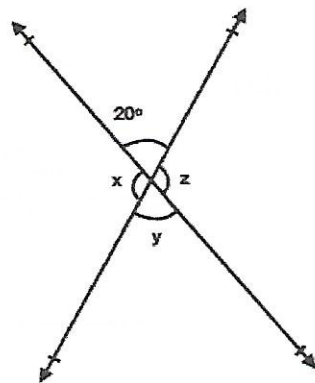
(i).



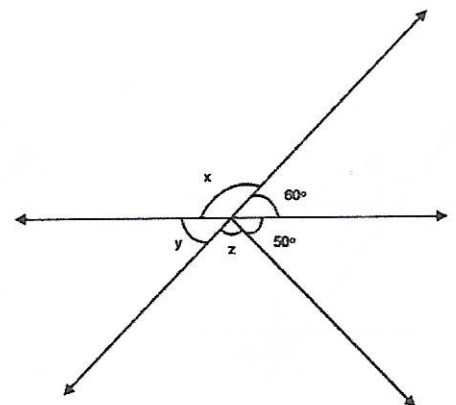
(ii).



(iii).

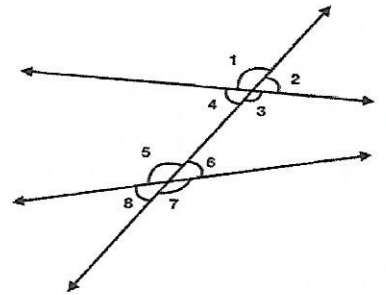


(iv).



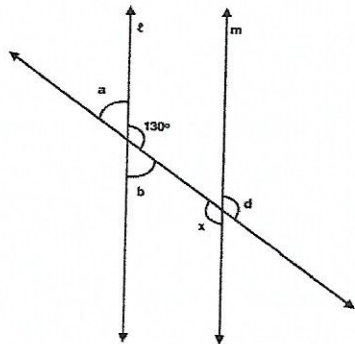
9. From the figure given, name a pair of:

- a) Corresponding angles
- b) Alternate interior angles
- c) Interior angles on same side of the transversal
- d) Vertically opposite angles
- e) Alternate exterior angles

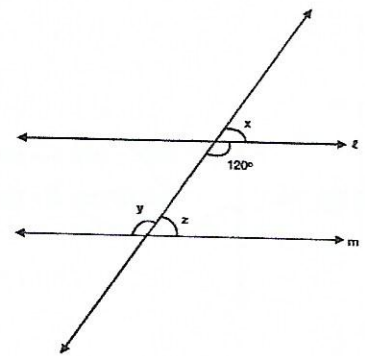


10. Find the unknown angles in the following figures where $\ell \parallel m$

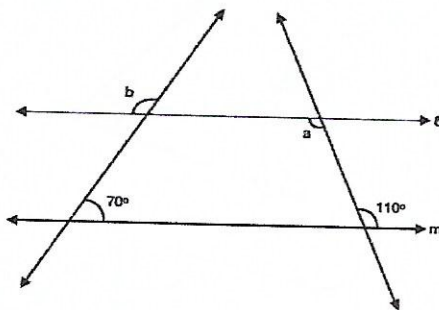
(i).



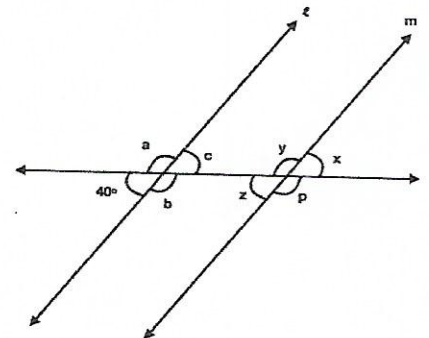
(ii).



(iii).

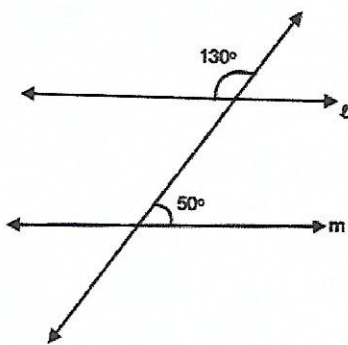


(iv).

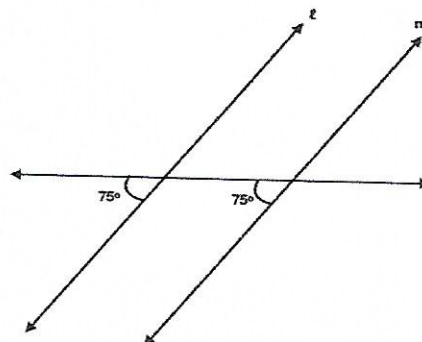


11. Check whether $\ell \parallel m$ in the following cases:

(i).



(ii).



(iii).

